

twilight

INSTRUMENTOS DE MEDICIÓN INDUSTRIAL

Ficha Técnica

Kit de boroscopio para tubería

www.twilight.mx

 / [twilightsadecv](https://www.facebook.com/twilightsadecv)

 / [twilightsadecv](https://twitter.com/twilightsadecv)

 / [twilightsadecv](https://www.youtube.com/twilightsadecv)

DESCRIPTION SPECIFICATIONS AND STANDARD EQUIPMENT

SPECIFICATIONS

	ITEM	PARAMETER
General	Operating Temperature	-10°-50°/+14°-+122°
	Operating Humidity	30%RH-90%RH
	Storage Temperature	-20°-60°/+4°-+140°
	Power adapter	Input:110VAC-240V AC, Output:12V DC 1200mA
	MEAS.	53.5x23x47cm (LxWxH)
	Weight	10Kg(Approx)
Camera	Sensor	1/3" Sony CCD
	TV-Line	480 TV-Line
	View Angle	135°
	Focus Distance	20cm (approx)
	Depth Of Field	100cm(approx)
	Camera Size	23mmx45mm Main body
	Camera Length	120mm or 250mm
	Front Lens	Sapphire
	Shell Material	304#Stainless Steel
	Lighting	Built-in 12xLED (White)
	Water-Proof	20m water (Camera fix on Cable)
	Power Supply	DC12V
	Current Consume	60mA (LED OFF) 140mA (LED ON)
	DVR	Screen
Resolution		800x480 RGB
Mirror and Flip		Support image mirror, Flip, Mirror & Flip
Video Resolution		PAL 720x576 25FPS Max NTSC 720x488 30FPS Max
Video Encoding		H.264
Photograph		720x480/720x576
Audio Recording		Local Sound
Out Put		TV and Audio output
External Memory		Support SD Memory Card up to 32GB
Data Output		USB2.0 To PC
LED Driver		Built-in Dimmer
Play Back		Video, Photo and Audio
Language		English, German, French, Spanish, Italian, Chinese, Japanese, Russian, Portuguese
Power Supply		DC 6-12V input
Current Consume	700mA Max	
Battery pack	Power Input	DC 9-12V input
	Battery Capacity	7.4V 6600mAh Li-ion Battery
	Power Output	6-12V DC 5V DC
	Life Time	7 hour Record ,9 hour Play Back
	Charge Time	8 hour
Cable Wheel	Cable Diameter	5.2mm
	Cable Length	20/30/40 meter (Selectable)
	Meter Counter	Selectable
Tool Box	Size	517x434x200mm(LxWxH)
	Box color	Black /Yellow (Selectable)

Package Contents

1. Toolbox with DVR
2. Remote control
3. Cable wheel and push cable
4. Operation manual
5. Battery pack and cable
6. Fuse (2x)
7. 46 Support guides
8. 80 Support guides
9. Car charger
10. Camera
11. Screw (2x), nut (2x) and waterproof-ring
12. Adapter
13. Screw Driver

Optional Part

1. Text writer: Part 3-423
2. Meter counter Part 4-512

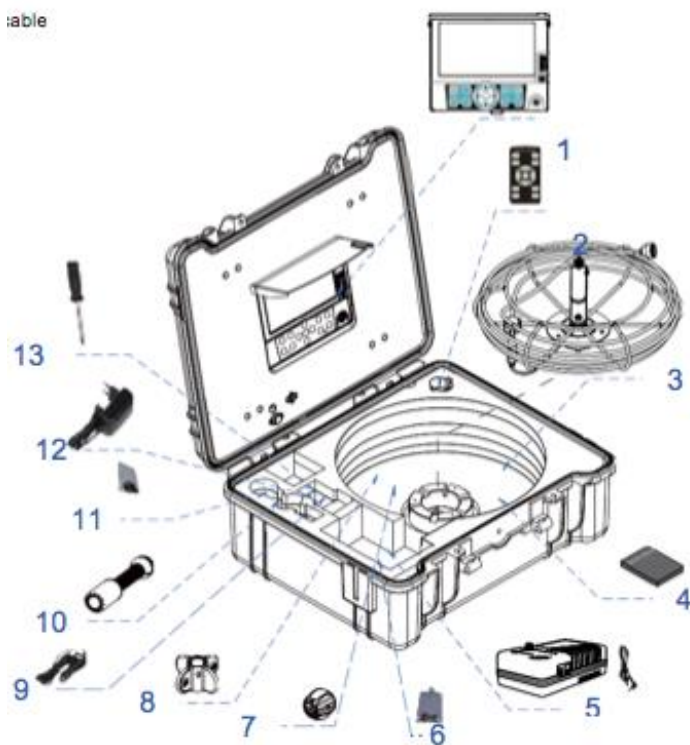




Figure 6. Package Contents

8	4-501-20 4-501-30 4-501-40	Cable Wheel	Rotatable reel contains ϕ 5.2mm cable. 20, 30, 40M length optional.	
9	4-512-20 4-512-30 4-512-40	Cable Wheel	Rotatable reel contains ϕ 5.2mm cable. 20, 30, 40M length optional. Built-in Meter Counter	

twilight

INSTRUMENTOS DE MEDICIÓN INDUSTRIAL

 LLÁMANOS

+52(81) 8115-1400 / +52 (81) 8173-4300

LADA Sin Costo:
01 800 087 43 75

E-mail:
ventas@twilight.mx

www.twilight.mx

 / [twightsadecv](https://www.facebook.com/twightsadecv)

 / [twightsadecv](https://twitter.com/twightsadecv)

 / [twightsadecv](https://www.youtube.com/twightsadecv)